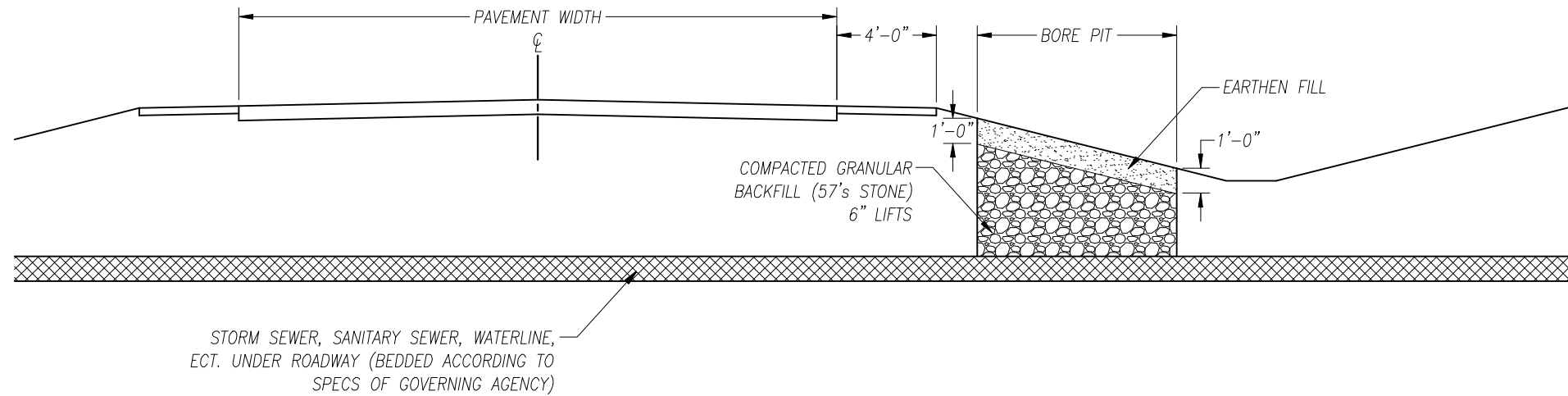
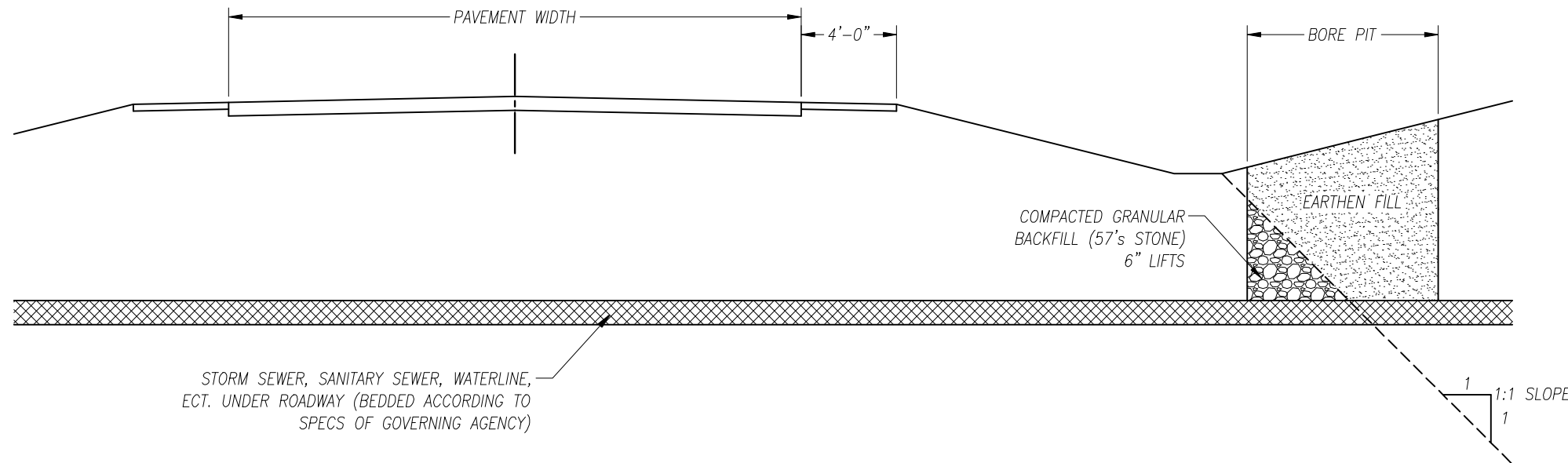


GRANULAR BACKFILL OF BORE PITS



BORE PIT BETWEEN 4'-0" FROM THE EDGE OF PAVEMENT AND ROADSIDE DITCH



BORE PIT BEYOND FLOWLINE OF ROADSIDE DITCH

NOTES:

1. ANY UTILITY PLACED UNDER THE ROADWAY SHALL BE WITHIN A CASING APPROVED BY THE ALLEN COUNTY ENGINEER AND THE RESPECTIVE UTILITY.
2. BORE PITS SHALL BE A MINIMUM OF 4'-0" FROM THE EDGE OF PAVEMENT.
3. ANY BORE PIT BETWEEN 4'-0" OF THE EDGE OF PAVEMENT AND THE FLOWLINE OF THE ROADSIDE DITCH SHALL BE BACKFILLED TO WITHIN 1'-0" OF THE GROUND SURFACE WITH COMPACTED GRANULAR BACKFILL (57's STONE) IN 6" LIFTS.
4. ANY BORE PIT BEYOND THE FLOWLINE OF THE ROADSIDE DITCH SHALL BE BACKFILLED AT A 1:1 SLOPE WITH COMPACTED GRANULAR BACKFILL (57's STONE) IN 6" LIFTS.
5. SEE ALLEN COUNTY STANDARD CONSTRUCTION DRAWING LUP-1 FOR ADDITIONAL DETAILS.

REVISIONS			ALLEN COUNTY, OHIO	
NO.	DATE	BY	COUNTY ENGINEER	
1	9-21-06	BER	GRANULAR BACKFILL OF BORE PITS	
2	10-5-06	RJM		
			STANDARD CONSTRUCTION DRAWING BFB-1	
			DRAWN BY: RJM APPROVED BY: T.J. PIPER	