

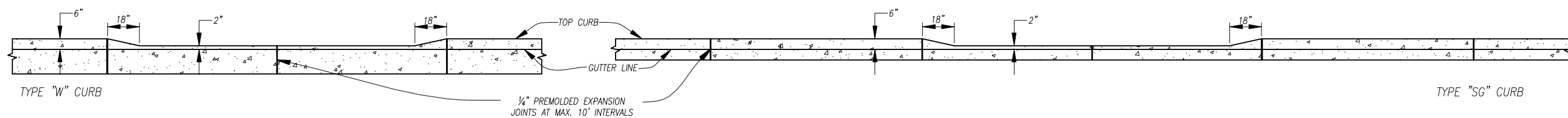
**ASPHALT ON STONE**

**PLAN**

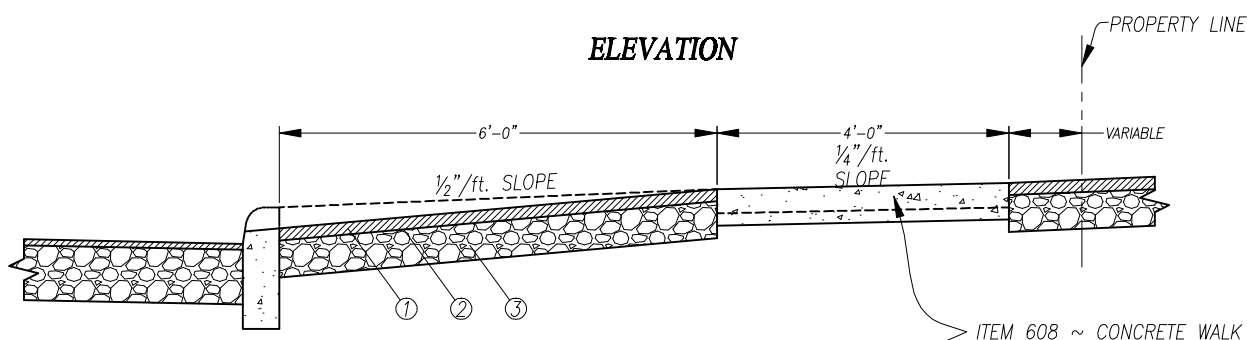
**CONCRETE**

**RESIDENTIAL DRIVE DETAILS**

NOTE: 1/4" PREMOLED EXP. JOINTS IN SIDEWALKS TO BE PLACED AT MAX. 40' INTERVALS.

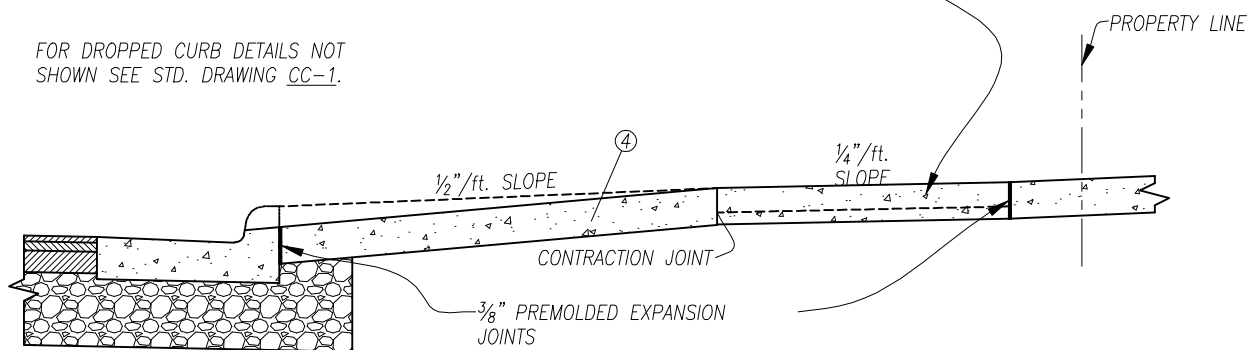


**ELEVATION**



**SECTION A-A**

FOR DROPPED CURB DETAILS NOT SHOWN SEE STD. DRAWING CC-1.



**SECTION B-B**

**NOTES**

RESIDENTIAL DRIVEWAYS SHALL CONSIST OF THE FOLLOWING MATERIALS:

- ① 2" ITEM 404 ASPHALT CONCRETE
- ② ITEM 408 AT 0.50 GAL. PER SQ. YD. BITUMINOUS PRIME COAT
- ③ 6" ITEM 304 COMPACTED STONE BASE

OR

- ④ 6" ITEM 452 (7" FOR COMMERCIAL DRIVES WITH TRUCK TRAFFIC)

SEE STANDARD DRAWINGS PF-1 AND PR-1 FOR MATERIAL DESCRIPTION.

REVISIONS			ALLEN COUNTY, OHIO	
NO.	DATE	BY	COUNTY ENGINEER	
1	6-3-76	TIP	<b>RESIDENTIAL &amp; COMMERCIAL DRIVEWAY DETAILS &amp; SIDEWALK DETAILS</b>  <b>STANDARD CONSTRUCTION DRAWING DW-1</b> DRAWN BY: RIM   APPROVED BY: T.J. PIPER	
2	11-14-89	TIP		
3	10-5-06	RIM		