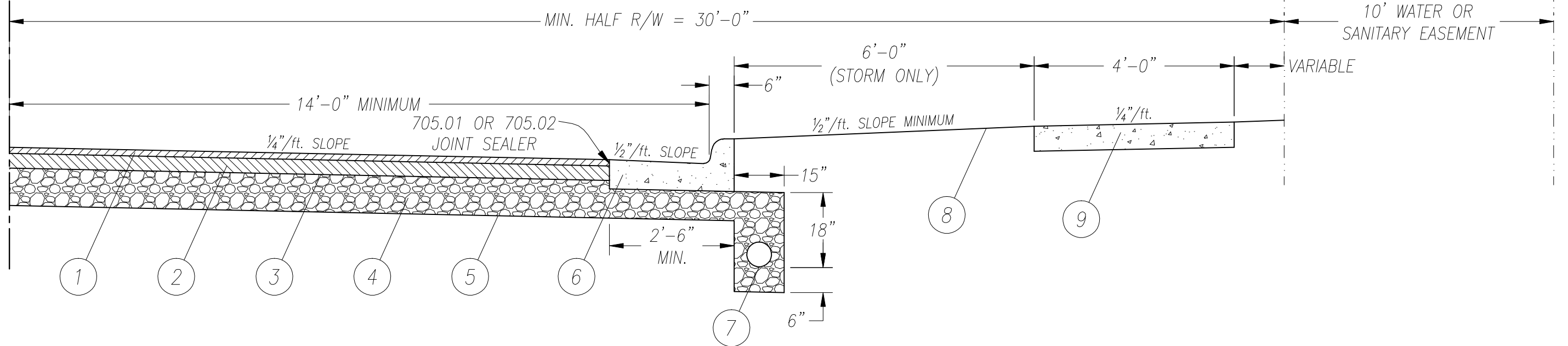


SYMMETRICAL ABOUT
CENTERLINE OF PAVEMENT

PROPERTY LINE OR
RIGHT-OF-WAY LINE



**TYPICAL HALF-SECTION
MINIMUM PAVEMENT COMPOSITION FOR FLEXIBLE PAVEMENT**

- ① ITEM 404 ~ 1 1/2" ASPHALT CONCRETE (SEE ADDITIONAL SPECIFICATIONS)
- ② ITEM 301 ~ 3 1/2" ASPHALT CONCRETE (BASE COURSE)
- ③ ITEM 408 ~ BITUMINOUS PRIME COAT, AT LEAST 0.50 GAL. PER SQ. YD.
- ④ ITEM 304 ~ 9" AGGREGATE BASE
- ⑤ ITEM 204 ~ SUBGRADE COMPACTION, ODOT ITEM 204 SPECS.
- ⑥ ITEM 609 ~ CURB, SEE STANDARD DRAWING CC-1
- ⑦ ITEM 605 ~ 6" PERIMETER PIPE UNDERDRAIN (BOTH SIDES OF STREET) (706.06, 706.07, 706.08, 706.09, 707.33 (PERFORATED), 707.41 (PERFORATED)) BACKFILLED ACCORDING TO O.D.O.T. SPECIFICATION No. 603.04, CLASS B CONDUIT BEDDING. PIPES TO DRAIN TO NEAREST CATCH BASINS AND TO BE PLACED BEFORE CONSTRUCTION OF CURB AND GUTTERS. LOT DRAINS SHALL NOT BE CONNECTED TO PERIMETER PIPE UNDERDRAINS.
- ⑧ ITEM 659 ~ SEEDING AND MULCHING, USE SEEDING MIXTURE APPROVED BY THE ALLEN COUNTY ENGINEER
- ⑨ ITEM 608 ~ CONCRETE WALK (WHEN REQUIRED), SEE STANDARD DRAWING DW-1

NOTE: 1. SEE ALLEN COUNTY STD. DRWG. DW-1 FOR CURB REPLACEMENT FOR DRIVEWAY CONSTRUCTION.

2. STORM SEWERS SHALL BE LOCATED WITHIN THE ROAD RIGHT-OF-WAY AND WITHIN SIX (6) FEET OF THE BACK OF CURB.

THE ITEMS LISTED ABOVE REFER TO THE MATERIAL & CONSTRUCTION SPECIFICATIONS FOUND IN THE LATEST EDITION OF THE OHIO DEPARTMENT OF TRANSPORTATION CONSTRUCTION & MATERIAL MANUAL UNLESS NOTED OTHERWISE.

REVISIONS			ALLEN COUNTY, OHIO COUNTY ENGINEER	
NO.	DATE	BY		
1	6-4-76	TJP	PAVEMENT - FLEXIBLE CUL-DE-SAC, LOCAL, SUBCOLLECTOR & COLLECTOR STREETS W/ CURB AND GUTTERS STANDARD CONSTRUCTION DRAWING PF-2 DRAWN BY: RJM APPROVED BY: T.J. PIPER	
2	5-30-79	TJP		
3	12-1-90	TJP		
4	10-5-06	RJM		