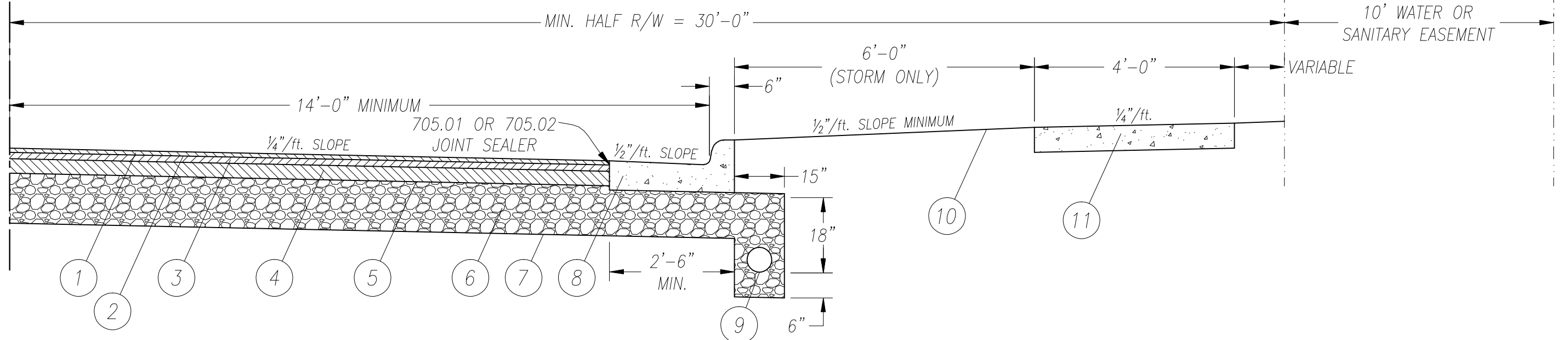


SYMMETRICAL ABOUT
CENTERLINE OF PAVEMENT

PROPERTY LINE OR
RIGHT-OF-WAY LINE



**TYPICAL HALF-SECTION
MINIMUM PAVEMENT COMPOSITION FOR FLEXIBLE PAVEMENT**

- ① ITEM 448 ~ 1 1/2" ASPHALT CONCRETE, SURFACE COURSE, TYPE 1H, PG70-22M
- ② ITEM 407 ~ TACK COAT FOR INTERMEDIATE COURSE, 0.04 GAL./S.Y.
- ③ ITEM 402 ~ 3" ASPHALT CONCRETE, INTERMEDIATE COURSE, TYPE 2, PG64-22
- ④ ITEM 301 ~ 4 1/2" ASPHALT CONCRETE, (BASE COURSE)
- ⑤ ITEM 408 ~ BITUMINOUS PRIME COAT, AT LEAST 0.50 GAL. PER SQ. YD.
- ⑥ ITEM 304 ~ 12" AGGREGATE BASE
- ⑦ ITEM 204 ~ SUBGRADE COMPACTION, ODOT ITEM 204 SPECS.
- ⑧ ITEM 609 ~ CURB, SEE STANDARD DRAWING CC-1
- ⑨ ITEM 605 ~ 6" PERIMETER PIPE UNDERDRAIN (BOTH SIDES OF STREET) (706.06, 706.07, 706.08, 706.09, 707.33 (PERFORATED), 707.41 (PERFORATED))
BACKFILLED ACCORDING TO O.D.O.T. SPECIFICATION No. 603.04, CLASS B CONDUIT BEDDING. PIPES TO DRAIN TO NEAREST CATCH BASINS AND TO BE PLACED BEFORE CONSTRUCTION OF CURB AND GUTTERS. LOT DRAINS SHALL NOT BE CONNECTED TO PERIMETER PIPE UNDERDRAINS.
- ⑩ ITEM 659 ~ SEEDING AND MULCHING, USE SEEDING MIXTURE APPROVED BY THE ALLEN COUNTY ENGINEER
- ⑪ ITEM 608 ~ CONCRETE WALK (WHEN REQUIRED), SEE STANDARD DRAWING DW-1

- NOTE:
- 1. SEE ALLEN COUNTY STD. DRWG. DW-1 FOR CURB REPLACEMENT FOR DRIVEWAY CONSTRUCTION.
 - 2. STORM SEWERS SHALL BE LOCATED WITHIN THE ROAD RIGHT-OF-WAY AND WITHIN SIX (6) FEET OF THE BACK OF CURB.

THE ITEMS LISTED ABOVE REFER TO THE MATERIAL & CONSTRUCTION SPECIFICATIONS FOUND IN THE LATEST EDITION OF THE OHIO DEPARTMENT OF TRANSPORTATION CONSTRUCTION & MATERIAL MANUAL UNLESS NOTED OTHERWISE.

REVISIONS			ALLEN COUNTY, OHIO	
NO.	DATE	BY	COUNTY ENGINEER	
			PAVEMENT - FLEXIBLE	
			HEAVY TRUCK TRAFFIC (100+	
			TRUCKS/DAY) W/ CURB AND GUTTERS	
			STANDARD CONSTRUCTION DRAWING PF-5	
			DRAWN BY: RJM	APPROVED BY: T.J. PIPER