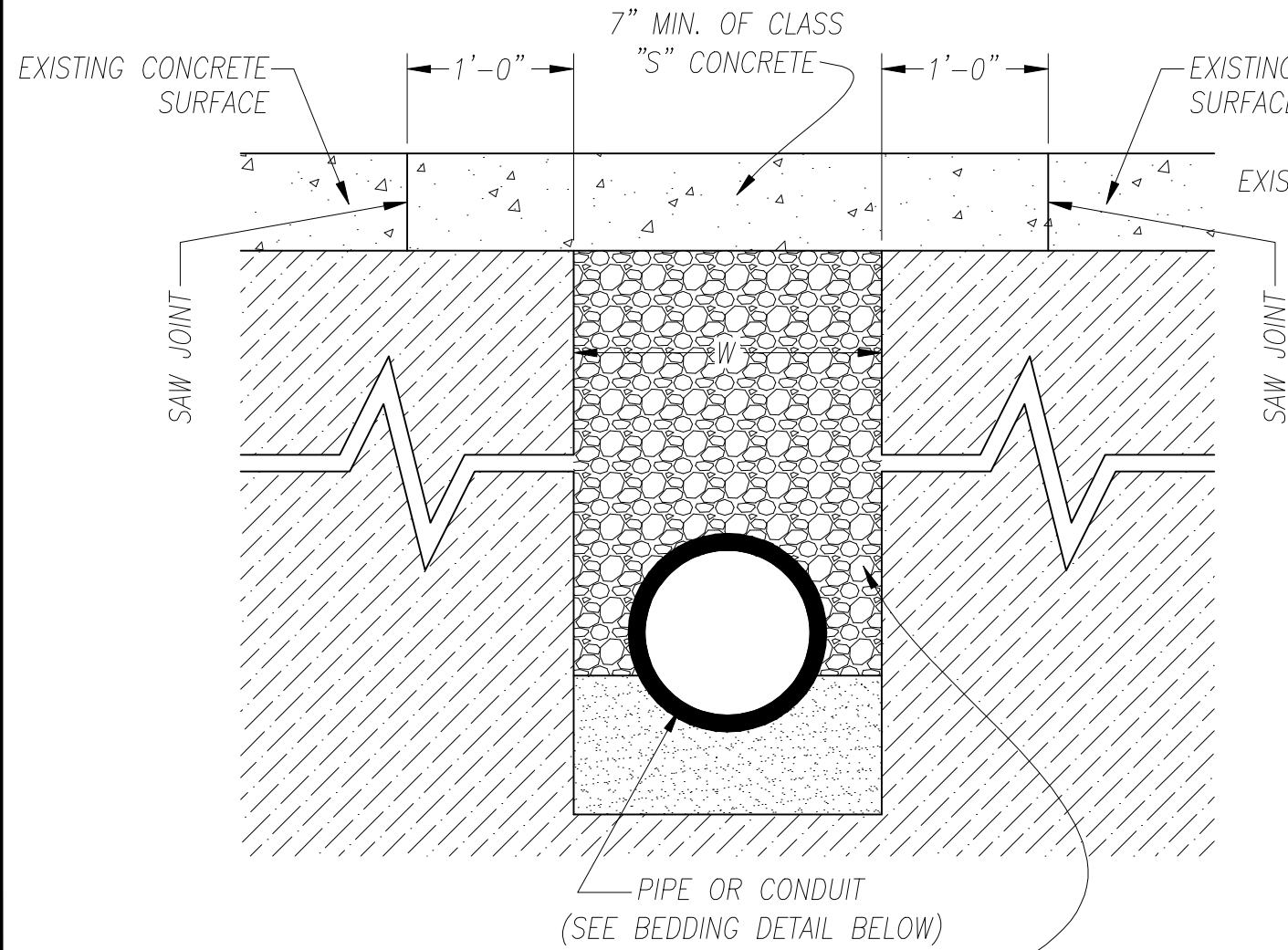
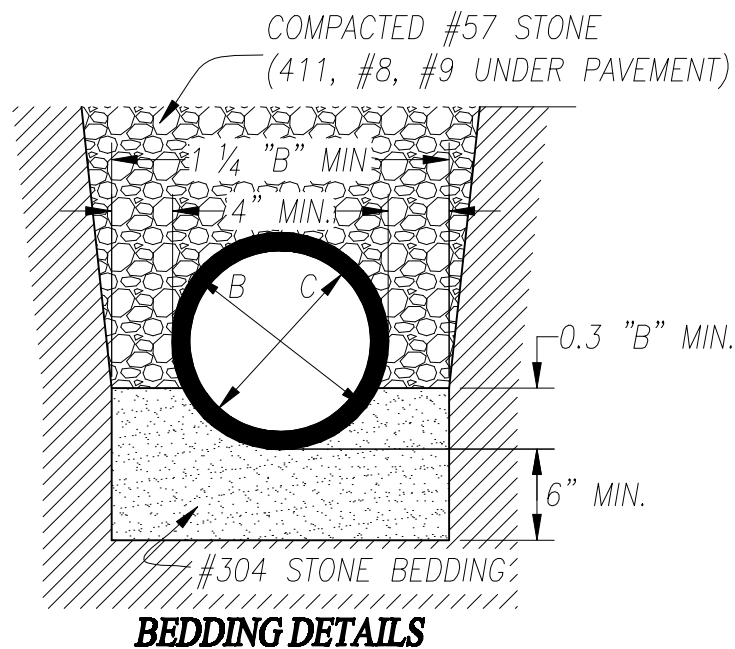


NOTE: DRILL DOWEL REROD INTO THE EXISTING CONCRETE AND ADD REROD TO THE NEW POUR.



**CONCRETE PAVEMENT**



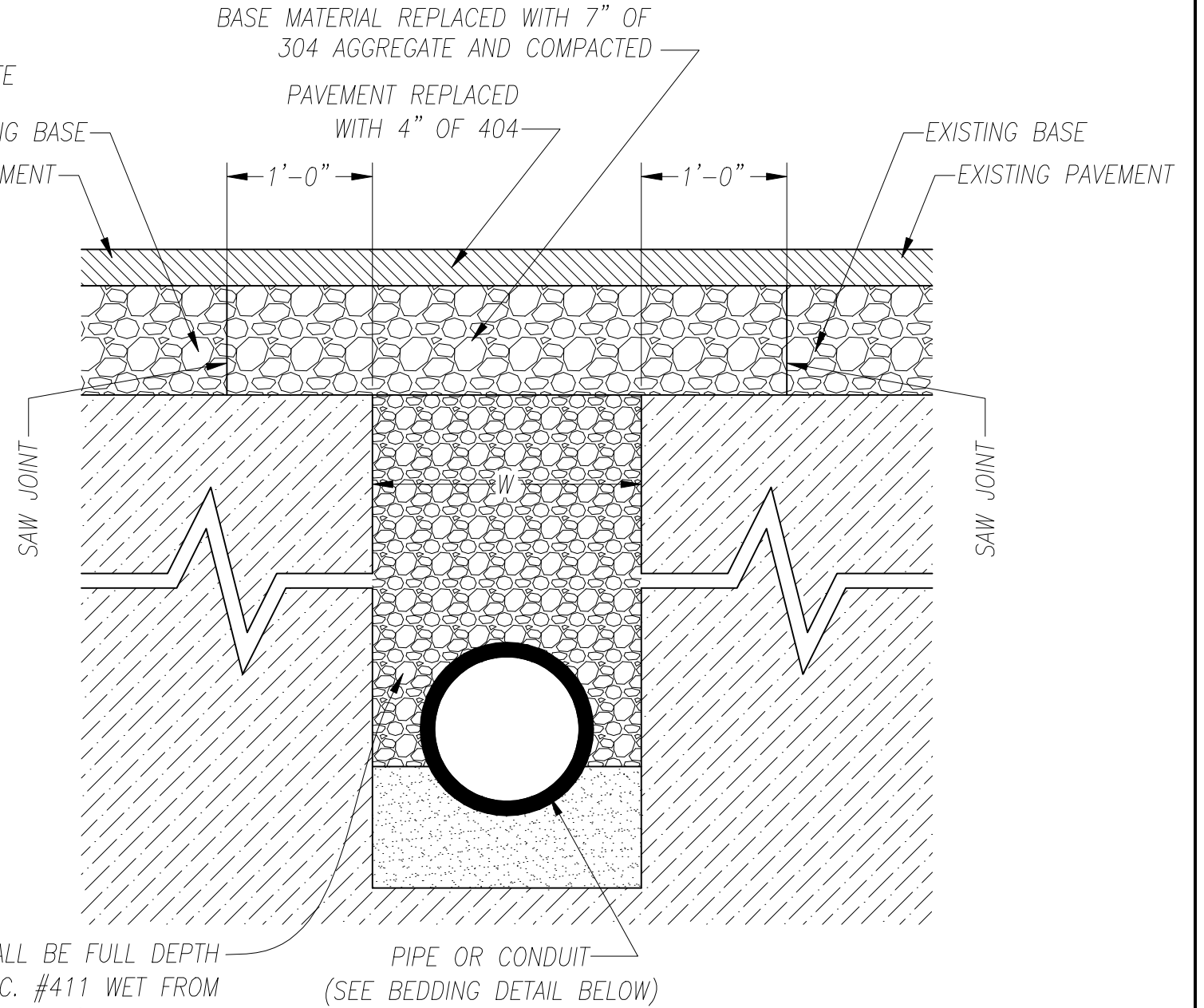
**BEDDING DETAILS**

BACKFILL UNDER THE ROADWAY SHALL BE FULL DEPTH OF GRANULAR MATERIAL (ODOT SPEC. #411 WET FROM QUARRY OR #8 OR #9 WET FROM QUARRY) COMPACTED AS DIRECTED BY THE COUNTY ENGINEER IN 6" LIFTS. MINIMUM HORIZONTAL DISTANCE OF GRANULAR BACKFILL SHALL BE 4' BACK OF CURB OR 6' BACK OF EDGE OF PAVEMENT

CONTRACTOR SHALL PERFORM ONE OF THE FOLLOWING:

1. BACKFILL THE TRENCH AS SPECIFIED ABOVE AND IMMEDIATELY PAVE WITH 404 GRADE HOT MIX; OR
2. BACKFILL TRENCH WITH STONE AS SPECIFIED AND PATCH TEMPORARILY WITH COLD MIX. LATER, THE COLD MIX SHALL BE REMOVED, THE STONE SHALL BE FLOODED WITH WATER TO OBTAIN COMPACTION AND THE CUT SHALL BE PAVED WITH 404 GRADE HOT MIX.

NOTE: IN THE WINTER MONTHS, 405 SHALL BE USED INSTEAD OF 404 AND REPLACED WITH 404 IN THE SPRING.



**FLEXIBLE PAVEMENT**

REVISIONS			ALLEN COUNTY, OHIO COUNTY ENGINEER	
NO.	DATE	BY		
1	8-10-05	TJP	<b>PAVEMENT - REPLACEMENT ABOVE ROAD CUTS</b>	
2	10-5-06	RJM		
			STANDARD CONSTRUCTION DRAWING RC-1	
			DRAWN BY: RJM   APPROVED BY: T.J. PIPER	